



VIP2502W

Wireless IPTV Receiver

Installation Guide





TO REDUCE RISK OF ELECTRIC SHOCK, DO NOT REMOVE COVER (OR BACK). NO USER-SERVICEABLE PARTS INSIDE. REFER SERVICING TO QUALIFIED SERVICE PERSONNEL.

Graphical symbols and supplemental warning markings are located on the back and bottom of the terminal.

WARNING

TO REDUCE THE RISK OF FIRE OR SHOCK, DO NOT EXPOSE THIS APPLIANCE TO RAIN OR MOISTURE.



The lightning flash with arrowhead symbol within an equilateral triangle is intended to alert the user to the presence of uninsulated dangerous voltage within the product's enclosure that may be of sufficient magnitude to constitute a risk of electric shock to persons.



The exclamation point within an equilateral triangle is intended to alert the user to the presence of important operating and maintenance (servicing) instructions in the literature accompanying the appliance.

Product identification and supply rating are provided on the label found on the bottom of the unit.

IMPORTANT SAFETY INSTRUCTIONS

- Read these instructions.
- Keep these instructions.
- Heed all warnings.
- Follow all instructions.
- Do not use this apparatus near water.
- Clean only with a dry cloth.
- Do not block any ventilation openings. Install according to the manufacturer's instructions.
- Do not install near any heat sources, such as radiators, heat registers, stoves, or other apparatus (including amplifiers) that produce heat.
- Protect the power cord from being walked on or pinched, particularly at plugs, convenience receptacles, and the point where they exit from the apparatus.
- Only use attachments/accessories specified by the manufacturer.
- Unplug this apparatus during lightning storms or when unused for long periods of time.
- Refer all servicing to qualified service personnel. Servicing is required when the apparatus has been damaged in any way, such as the power supply cord or plug is damaged, liquid has been spilled or objects have fallen into the apparatus, the apparatus has been exposed to rain or moisture, does not operate normally, or has been dropped.



Follow these important safety guidelines when positioning and connecting your wireless receiver:

- **Do not block the slots and openings**
- **Do not place anything on top of the wireless receiver**
- **Do not position the wireless receiver in a confined space, such as an enclosed cabinet, that does not provide adequate ventilation.**
- **Do not position the wireless receiver near any external heat source that could raise the temperature around the unit. Do not place the wireless receiver on top of another heat producing electronic device.**
- **Allow for adequate ventilation around the wireless receiver to maintain normal operating temperature. Do not place it in a sealed enclosure without providing for adequate airflow.**
- **Use only the power adapter and cord supplied to connect the VIP2502W to your home AC power outlet.**
- Do not plug the AC power adapter into a switched power outlet.
- Always transport the receiver in its original factory carton, or in an equally well-padded container.
- Whether installed or being transported, do not expose the receiver to temperature extremes. The temperature range for operation is from 0° to +40°C. The non-operating (transport or storage) temperature range is from -40° to +60°C.
- If the wireless receiver is used outdoors (patio, balcony, etc.), it should be protected from moisture, temperature extremes, and from prolonged exposure to direct sunlight, any of which could cause damage. Note also that adequate ventilation must be maintained, even if the wireless receiver is operated outdoors.

This manual includes the manufacturer's recommended safeguards and all the information needed to connect your receiver to both your in-home IP network and your entertainment system. The safety and installation information was developed and provided primarily by the receiver manufacturer, ARRIS Enterprises, Inc.

Contents

Introduction	1
Overview	2
Front Panel	2
Rear Panel.	3
Wireless Connection	4
Register the TV Receiver with the Access Point	4
Connecting Your TV Receiver	5
Connection Options	5
Common Cabling Examples	6
Connecting to an HDTV – Video Only	7
Connecting to an HDTV – Audio Only	8
Connecting Audio to a Home Theater Receiver	9
Connecting to a Stereo TV	10
Troubleshooting	11

Introduction

Congratulations on choosing the ARRIS VIP2502W Wireless IPTV Receiver.

The VIP2502W provides these extraordinary home entertainment features:

- Wireless input via the VAP2500 Wireless Access Point lets you easily position or move your video entertainment system anywhere in your residence – or even outside – without network wires or cables
- High Definition TV (HDTV), with up to twice the color resolution and up to six times the sharpness of standard TV when connected to an HD-capable TV
- A direct digital connection to consumer audio and video devices through multiple interfaces
- Video on Demand (VoD)
- Commercial free, CD quality music

This installation manual introduces the basic features, outlines important safeguards, and provides options for integrating your wireless receiver into your entertainment system. Please take a few moments to read through this manual. Its configuration diagrams and troubleshooting section will help you make the most of your home entertainment experience.

Included in the carton:

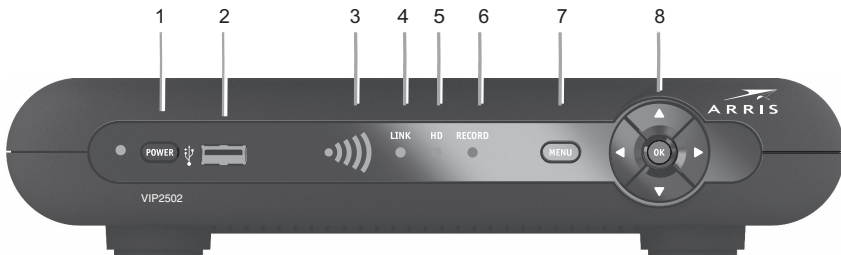
- VIP2502W Wireless High-Definition (HD) and Standard-Definition (SD) receiver
- Power adapter and power cord

For more information about your TV service, refer to the other documentation from your service provider.

Overview

Front Panel

The illustration below and the table following it describe the front-panel features, controls and indicator lights.

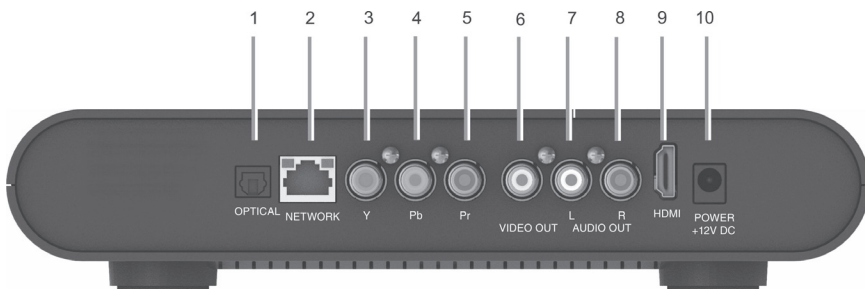


Key	Item	Function
1	POWER	Press to turn the Wireless Receiver on or off If held for ten (10) seconds or longer, restarts the wireless receiver. The LED (just to the left of the POWER key) lights green to indicate the unit is powered on and active. When active, LED flashes each time you press a key on the remote control. LED lights orange to indicate the unit is in Standby mode.
2	USB	USB 2.0 connector
3	SIGNAL QUALITY	The signal quality display lights green to indicate signal strength from your wireless Access Point device. From one to five bars are lit, depending on the strength of the received signal. When signal strength is low the bar may display as amber (weak) or red (unusable).
4	LINK	Lights green when receiving a video stream
5	HD	Lights blue when receiving video resolution of 720p or 1080i
6	RECORD	Lights red when a recording is in progress
7	MENU	Displays the VIP2502W menu on your TV screen
8	Up/Down arrow keys Left/Right arrow keys OK center key	Changes the channel (channel up/channel down) Use to navigate through on-screen program guide and menu Use to select programs or accept menu options

Overview

Rear Panel

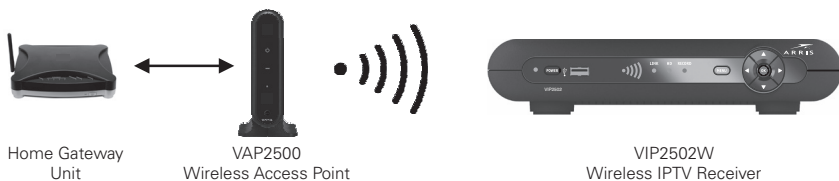
The VIP2502W rear panel features are described in the following table.



Key	Item	Function
1	OPTICAL	Toslink (S/PDIF) digital audio output
2	NETWORK	Ethernet 10/100Base-T RJ-45 port
3	Y	RCA component video outputs to an HDTV
4	Pb	
5	Pr	
6	VIDEO OUT	RCA standard-definition composite video output to a TV, media recorder, or other device
7	L R	Left and right RCA stereo audio (analog) outputs
8	AUDIO OUT	
9	HDMI™	Connects to a High Definition TV or home theater receiver with an HDMI input (for a DVI input, use an HDMI-to-DVI adapter)
10	POWER +12 VDC	Connector for the DC power adapter. Use only the adapter specified for VIP2502W.

Wireless Connection

As shown in the sketch below, programs and services for the VIP2502W are transmitted wirelessly over the air from a VAP2500 Access Point. The access point, in turn, is connected to your home network gateway device.



The VAP2500 Access Point is capable of transmitting separate programming streams to a number of wireless IPTV Receivers. The Access point uses Wi-Fi Protected Setup (WPS) protocols to identify, authorize and manage traffic to and from the wireless TV receivers.

Register the TV Receiver with the Access Point

Before your TV Receiver can receive any programming, it must be registered as an authorized device with the Access Point. Run the WPS procedure as follows:

1. Install the VAP2500 Access Point as described in the VAP2500 Quick Install Guide.
2. Connect the cord from the DC Power Adapter to the POWER +12VDC connector on the rear of the VIP2502W, and plug the adapter into an AC wall socket, and then connect the VIP2502W to your TV set as described starting on page 5.
3. The POWER button on the front of the VIP2502W lights green to indicate power is applied. Ensure power is applied to your TV, as well.
4. Ensure that the VAP2500 is connected to your home gateway device, and that power is applied to it.
5. When the TV Receiver starts up, it will look for a signal from an Access Point. When it detects the signal, a prompt will appear on your TV screen asking if you wish to connect.
6. On the front panel of the VIP2502W, touch **OK**.
7. Go to the Access Point, and then press and hold the WPS button on the front of the VAP for two seconds, then release to activate the WPS process. The Access Point's WPS LED will blink orange.
8. An icon appears on the screen, indicating that the connection sequence is in process. When three horizontal dots appear, the connection has been successful.
9. On the front panel of the VIP2502W, two or more bars on the signal strength indicator should light green. You have now established a secure wireless connection between the Access Point and your VIP2502W.



For further information on the VAP2500 Access Point, refer to your VAP2500 Quick Install Guide.

Connecting Your TV Receiver

This section describes alternative methods for connecting the VIP2502W to your home entertainment system.

Instructions and diagrams are included for connections to:

- High-Definition TV (HDTV)
- Home Theater Receiver–Audio
- Stereo TV



Before you move or change components on your entertainment system, always disconnect power from the wireless receiver.

Connection Options


The VIP2502W offers the following video outputs:

HDTV	HDMI or Component video
Standard	Composite Video Out

To determine the available inputs on your TV, check the manual supplied with the TV or on the TV itself. Use the following guidelines to determine the best connections for your system. Use one of the following.

Connector	Description
High-Definition 	<p>HDMI</p> <p>HDMI offers higher video quality than component video. If your HDTV has an HDMI input, use the HDMI connector.</p> <p>HDMI provides both digital video and digital audio (including Dolby® Digital 5.1 Surround Sound). No other connections are necessary.</p> <p>If your HDTV has a DVI input, you can use an HDMI-to-DVI converter cable to connect to the VIP2502W HDMI connector. Use a cable with an HDMI connector on one end and a DVI connector on the other end. We do not recommend using an HDMI-to-DVI or DVI-to-HDMI adapter. Because DVI does not carry audio, a separate audio connection is required for a DVI TV. If your TV has an optical S/PDIF audio connection, use the OPTICAL connection. Otherwise, use the baseband AUDIO L and R connections.</p>
	<p>Component Video</p>  <p>The Y Pb Pr connectors provide component video, the most widely supported HDTV connection.</p> <p>Component video provides a High-Definition analog video signal. If your equipment supports an optical S/PDIF audio connection, use the OPTICAL connection. Otherwise, use the baseband AUDIO L and R connections.</p>

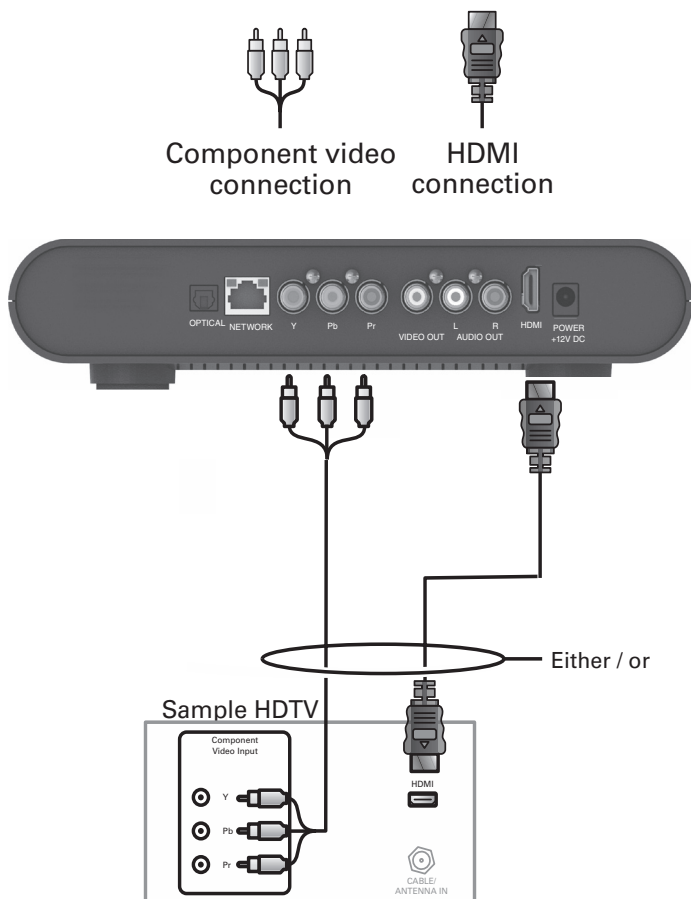
Connecting Your TV Receiver

	Connector	Description
Standard-Definition	Composite Video  VIDEO OUT	To connect a Standard Definition TV, use the composite VIDEO OUT connector. Composite video provides a Standard-Definition analog video signal. If your equipment supports an optical S/PDIF audio connection, use the OPTICAL connection. Otherwise, use the baseband AUDIO L and R connections.

Common Cabling Examples

The following cabling diagrams illustrate common sample audio/video (A/V) connections. When connecting other components to your TV Receiver, refer to the other component installation manuals for additional connection information.

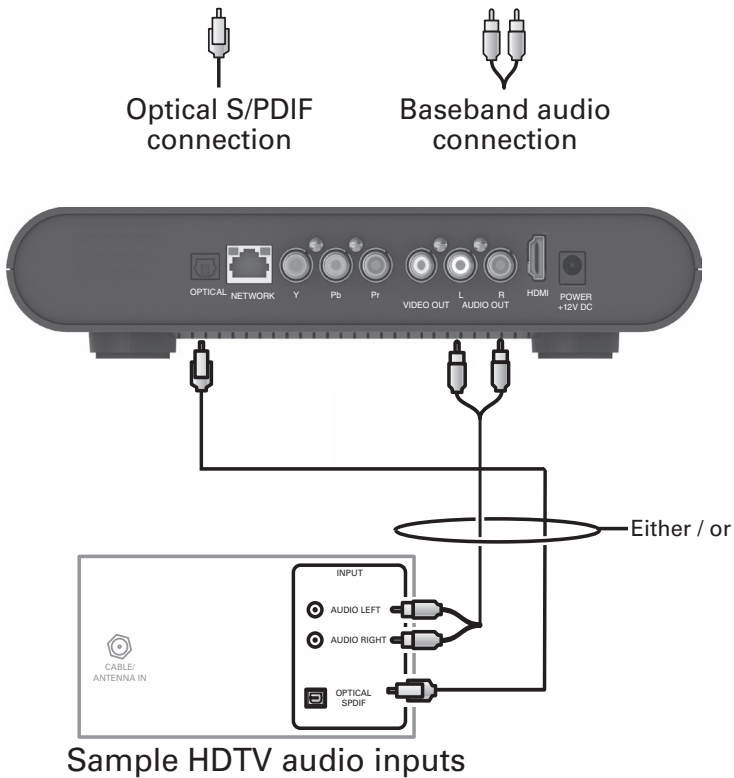
Connecting to an HDTV – Video Only



- If your HDTV has an HDMI input, connect an HDMI cable to the HDMI connector as shown. HDMI connection carries both video and audio signals.
- If your HDTV has a DVI input, you can use an HDMI-to-DVI converter to connect to the VIP2502W HDMI connector.
- If your HDTV has component video, connect component video cables to the Y, Pb, and Pr connectors as shown.

DVI and component video carry video signals only. To connect the audio, refer to the following page. To connect to a home theater receiver, refer to "Connecting Audio to a Home Theater Receiver – Audio Only."

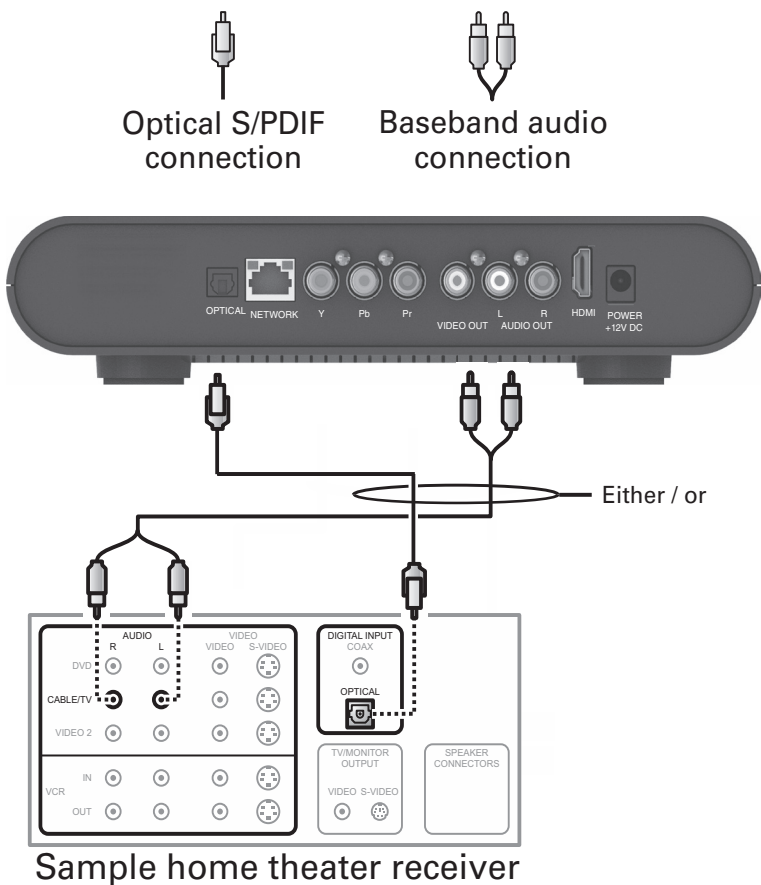
Connecting to an HDTV – Audio Only



If your equipment supports it, use the OPTICAL S/PDIF output. Otherwise, use the AUDIO OUT L and R connectors. In most cases, S/PDIF offers better audio quality, including support for Dolby Digital 5.1 Surround Sound.

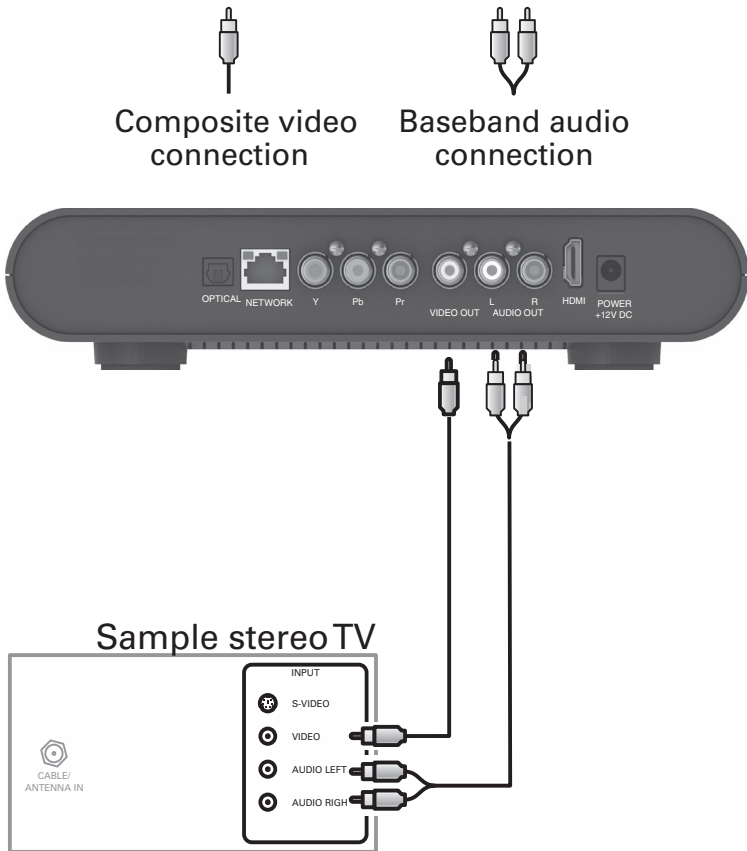
HDMI carries video and audio. If you connect your HDTV using HDMI, no additional audio connections to the TV are necessary.

Connecting Audio to a Home Theater Receiver



If your home theater receiver supports it, use the OPTICAL S/PDIF output. Otherwise, use the AUDIO OUT L and R connectors. In most cases, S/PDIF offers better audio quality, including support for Dolby Digital 5.1 Surround Sound.

Connecting to a Stereo TV



This video connection method does not support HD video. For more information, see “Connecting an HDTV – Video Only.”

Troubleshooting

Before calling your service provider, review this troubleshooting guide. If the suggestions do not help you quickly solve a problem, contact your service provider.

Problem	Possible Solution
<p>The wireless receiver will not power on.</p>	<p>Verify that the power adapter is connected to the wireless receiver and an AC outlet. Unplug the wireless receiver from the outlet, plug it back in, and press the POWER button.</p> <p>If the wireless receiver is connected to a switched outlet on a wall or another unit, verify that the switch or unit is powered on. Unplug the wireless receiver from the AC outlet, plug it back in, and press the POWER button.</p> <p>Press the POWER button on the wireless receiver front panel instead of the remote control. The batteries in the remote control may be depleted.</p>
<p>The remote control does not work.</p>	<p>Verify that the TV is on.</p> <p>Verify that the remote control is in STB mode.</p> <p>Verify that there are no obstructions between the remote control and the wireless receiver. Aim the remote control directly at the wireless receiver front panel, not the TV or VCR.</p> <p>The angle between the remote control and the wireless receiver may be too large. Stand in front of the wireless receiver and not too far to either side.</p> <p>Press and release operation keys one at a time, firmly and deliberately.</p> <p>Try changing channels using the buttons on the wireless receiver front panel.</p> <p>Check the batteries in the remote control. Install new batteries if needed.</p>
<p>Video quality poor or missing.</p>	<p>Verify the signal strength from the wireless Access Point. Signal strength is indicated by the number of illuminated bars on the front panel indicator:</p> <ul style="list-style-type: none"> • Five bar segments lit green: Excellent signal strength • Four bar segments lit green: Very good signal strength • Three bar segments lit green: Signal strength is good (minimum acceptable strength at installation). • Two bar segments lit green: Signal strength is fair. • Two bar segments lit amber: Signal is weak. Video may be affected. • One or two bar segments lit red: Signal is very weak. Video is affected. • No bar segments lit: No wireless connectivity. <p>If signal strength is inadequate, try reorienting or relocating the Wireless TV receiver or the Access Point for improved reception.</p>

Troubleshooting

Problem	Possible Solution
There is no audio when viewing TV channels.	<p>Verify that the Mute button on the remote control has not been pressed. Press Mute on the remote control to restore sound.</p> <p>If the wireless receiver audio output is connected to the TV, verify that the Mute button on the TV has not been pressed.</p> <p>If the wireless receiver audio output is connected to a home theater receiver, verify that the home theater receiver is set to the appropriate input source and its Mute button has not been pressed.</p> <p>Verify that you have the correct cables for the audio ports.</p> <p>Verify that the audio cables are firmly connected between the wireless receiver and the audio playback device (TV, home theater receiver, etc.).</p>
There is no audio from the center and/or surround speakers of a home theater receiver connected to the wireless receiver.	<p>Not all Dolby Digital programs feature full 5.1 surround sound. In some cases, the programs may only contain left and right stereo audio.</p> <p>Verify that the Optical S/PDIF cable is firmly connected to the wireless receiver and the home theater receiver.</p> <p>Verify that the home theater receiver is set to a surround sound audio mode (Dolby Digital, Dolby Pro Logic® II, Dolby Pro Logic).</p> <p>Verify that the home theater receiver is properly configured to work with all connected speakers.</p>

Regulatory Information

Federal Communications Commission Radio and Television Interference Statement for a Class 'B' Device

This equipment has been tested and found to comply with the limits for a Class B digital device, pursuant to part 15 of the FCC Rules. These limits are designed to provide reasonable protection against harmful interference in the residential installation. This equipment generates, uses, and can radiate radio frequency energy and, if not installed and used in accordance with the instructions, may cause harmful interference to radio communications. However, there is no guarantee that interference will not occur in a particular installation.

If the equipment does cause harmful interference to radio or television reception, which can be determined by turning the equipment off and on, the user is encouraged to try to correct the interference by one of the following measures:

- Reorient or relocate the device and/or the antenna receiving the interference.
- Increase the separation between the equipment and the affected receiver
- Connect the equipment on a circuit different from the one the receiver is on
- Contact your service provider for help.

Changes or modification not expressly approved by the party responsible for compliance could void the user's authority to operate the equipment.

For operation within 5.15 ~5.25GHz /5.25 ~5.35GHz/5.47 ~5.725GHz frequency range, it is restricted to indoor environment. The band from 5600-5650MHz will be disabled by the software during the manufacturing and cannot be changed by the end user. This device meets all the other requirements specified in Part 15E, Section 15.407 of the FCC Rules.

FCC Radiation Exposure Statement

This equipment complies with FCC radiation exposure limits set forth for an uncontrolled environment. This equipment should be installed and operated with minimum distance 20cm between the radiator and your body.

This transmitter must not be co-located or operating in conjunction with any other antenna or transmitter.

Firmware setting is not accessible by the end user.

Wireless LAN Information

The VIP2502W is a wireless network product that use Orthogonal frequency-division multiplexing (OFDM) radio technology. These products are designed to be interoperable with any other wireless OFDM type product that complies with:

- The IEEE 802.11 Standard on Wireless LANs (Revision A and Revision N), as defined and approved by the Institute of Electrical Electronics Engineers.
- The Wireless Fidelity (WiFi) certification as defined by the Wi-Fi Alliance.

Wireless LAN and your Health

The VIP2502W, like other radio devices, emit radio frequency electromagnetic energy, but operate within the guidelines found in radio frequency safety standards and recommendations.

Restrictions on Use of Wireless Devices

In some situations or environments, the use of wireless devices may be restricted by the proprietor of the building or responsible representatives of the organization. For example, using wireless equipment in any environment where the risk of interference to other devices or services is perceived or identified as harmful.

If you are uncertain of the applicable policy for the use of wireless equipment in a specific organization or environment, you are encouraged to ask for authorization to use the device prior to turning on the equipment.

The manufacturer is not responsible for any radio or television interference caused by unauthorized modification of the devices included with this product, or the substitution or attachment of connecting cables and equipment other than specified by the manufacturer. Correction of interference caused by such unauthorized modification, substitution, or attachment is the responsibility of the user.

FCC Declaration of Conformity

According to 47 CFR, Parts 2 and 15 for Class B Personal Computers and Peripherals; and/or CPU Boards and Power Supplies used with Class B Personal Computers, ARRIS Enterprises, Inc, 3871 Lakefield Drive, Suwanee, Georgia 30024, declares under sole responsibility that the product identifies with 47 CFR Part 2 and 15 of the FCC Rules as a Class B digital device. Each product marketed is identical to the representative unit tested and found to be compliant with the standards. Records maintained continue to reflect the equipment being produced can be expected to be within the variation accepted, due to quantity production and testing on a statistical basis as required by 47 CFR 2.909. Operation is subject to the following condition: This device must accept any interference received, including interference that may cause undesired operation. The above named party is responsible for ensuring that the equipment complies with the standards of 47 CFR, Paragraphs 15.101 to 15.109.

Industry Canada statements:

This device complies with Industry Canada licence-exempt RSS standard(s). Operation is subject to the following two conditions: (1) this device may not cause interference, and (2) this device must accept any interference, including interference that may cause undesired operation of the device.

Cet appareil est conforme la norme d'Industrie Canada exempts de licence RSS. Son fonctionnement est soumis aux deux conditions suivantes: (1) cet appareil ne peut pas causer d'interférences, et (2) cet appareil doit accepter toute interférence, y compris les interférences qui peuvent causer un mauvais fonctionnement de l'appareil.

Caution:

The device for operation in the band 5150-5250 MHz is only for indoor use to reduce the potential for harmful interference to co-channel mobile satellite systems;

The maximum antenna gain permitted for devices in the bands 5250-5350 MHz and 5470-5725 MHz shall comply with the EIRP limit;

The maximum antenna gain permitted for devices in the band 5725-5825 MHz shall comply with the EIRP limits specified for point-to-point and non point-to-point operation as appropriate.

High-power radars are allocated as primary users (i.e. priority users) of the bands 5250-5350 MHz and 5650-5850 MHz and that these radars could cause interference and/or damage to LE-LAN devices

Les dispositifs fonctionnant dans la bande 5 150-5 250 MHz sont réservés uniquement pour une utilisation à l'intérieur afin de réduire les risques de brouillage préjudiciable aux systèmes de satellites mobiles utilisant les mêmes canaux;

Le gain maximal d'antenne permis pour les dispositifs utilisant les bandes 5 250-5 350 MHz et 5 470-5 725 MHz doit se conformer à la limite de PIRE;

Le gain maximal d'antenne permis (pour les dispositifs utilisant la bande 5 725-5 825 MHz) doit se conformer à la limite de PIRE spécifiée pour l'exploitation point à point et non point à point, selon le cas.

De forte puissance radars sont désignés comme utilisateurs principaux (c.-à-utilisateurs prioritaires) des bandes 5250-5350 MHz et 5650-5850 MHz et que ces radars pourraient causer des interférences et / ou des dommages à dispositifs LAN-EL

**IMPORTANT NOTE:
Canada Radiation Exposure Statement**

This equipment complies with Canada radiation exposure limits set forth for an uncontrolled environment. This equipment should be installed and operated with minimum distance 20cm between the radiator and your body.

Under Industry Canada regulations, this radio transmitter may only operate using an antenna of a type and maximum (or lesser) gain approved for the transmitter by Industry Canada. To reduce potential radio interference to other users, the antenna type and its gain should be so chosen that the equivalent isotropically radiated power (EIRP) is not more than that necessary for successful communication.

**NOTE IMPORTANTE: (Pour l'utilisation de dispositifs mobiles)
Déclaration d'exposition aux radiations**

Cet équipement est conforme aux limites d'exposition aux rayonnements IC établies pour un environnement non contrôlé. Cet équipement doit être installé et utilisé avec un minimum de 20 cm de distance entre la source de rayonnement et votre corps.

En vertu de la réglementation de l'industrie au Canada, cet émetteur radio peut fonctionner uniquement à l'aide d'une antenne d'un type et un maximum (ou moins) de gain approuvé pour l'émetteur par Industrie Canada. Pour réduire le risque d'interférence aux autres utilisateurs, le type d'antenne et son gain doivent être choisis afin que la puissance isotrope rayonnée équivalente (PIRE) ne dépasse pas ce qui est nécessaire pour une communication réussie.

Software License

VIP2502W Wireless IPTV Receiver
ARRIS Enterprises, Inc. ("ARRIS")
3871 Lakefield Drive
Suwanee, Georgia 30024, USA

IMPORTANT: PLEASE READ THIS SOFTWARE LICENSE ("LICENSE") CAREFULLY BEFORE YOU USE ANY SOFTWARE, FIRMWARE, AND RELATED DOCUMENTATION ("SOFTWARE") PROVIDED WITH ARRIS' IP VIDEO RECEIVER OR HOME THEATER SYSTEM (EACH SHALL BE REFERRED TO IN THIS LICENSE AS A "RECEIVER"). BY USING THE RECEIVER AND/OR USING ANY OF THE SOFTWARE, YOU INDICATE YOUR ACCEPTANCE OF EACH OF THE TERMS OF THIS LICENSE. UPON ACCEPTANCE, THIS LICENSE WILL BE A LEGALLY BINDING AGREEMENT BETWEEN YOU AND ARRIS. THE TERMS OF THIS LICENSE APPLY TO YOU AND TO ANY SUBSEQUENT USER OF THIS SOFTWARE.

IF YOU DO NOT AGREE TO ALL OF THE TERMS OF THIS LICENSE (I) DO NOT USE THE SOFTWARE AND (II) RETURN THE RECEIVER AND THE SOFTWARE (COLLECTIVELY, "PRODUCT"), INCLUDING ALL COMPONENTS, DOCUMENTATION, AND ANY OTHER MATERIALS PROVIDED WITH THE PRODUCT, TO YOUR POINT OF PURCHASE OR SERVICE PROVIDER, AS THE CASE MAY BE, FOR A FULL REFUND.

The Software includes associated media, any printed materials, and any "on line" or electronic documentation. Software provided by third parties may be subject to separate end user license agreements from the manufacturers of such Software. The Software is never sold. ARRIS licenses the Software to the original customer and to any subsequent licensee for personal use only on the terms of this License. ARRIS and its third party licensors retain the ownership of the Software.

You may:

USE the Software only in connection with the operation of the Product.

TRANSFER the Software (including all component parts and printed materials) permanently to another person, but only if the person agrees to accept all of the terms of this License. If you transfer the Software, you must at the same time transfer the Product and all copies of the Software (if applicable) to the same person or destroy any copies not transferred.

TERMINATE this License by destroying the original and all copies of the Software (if applicable) in whatever form.

You may not:

(1) Loan, distribute, rent, lease, give, sublicense, or otherwise transfer the Software, in whole or in part, to any other person, except as permitted under the TRANSFER paragraph above. (2) Copy or translate the User Guide included with the Software, other than for personal use. (3) Copy, alter, translate, decompile, disassemble, or

reverse engineer the Software, including but not limited to modifying the Software to make it operate on non compatible hardware. (4) Remove, alter, or cause not to be displayed any copyright notices or startup message contained in the Software programs or documentation. (5) Export the Software or the Product components in violation of any United States export laws.

The Product is not designed or intended for use in on line control of aircraft, air traffic, aircraft navigation, or aircraft communications; or in design, construction, operation, or maintenance of any nuclear facility. ARRIS AND ITS THIRD PARTY LICENSORS DISCLAIM ANY EXPRESS OR IMPLIED WARRANTY OF FITNESS FOR SUCH USES. YOU REPRESENT AND WARRANT THAT YOU SHALL NOT USE THE PRODUCT FOR SUCH PURPOSES.

Title to this Software, including the ownership of all copyrights, mask work rights, patents, trademarks, and all other intellectual property rights subsisting in the foregoing, and all adaptations to and modifications of the foregoing, shall at all times remain with ARRIS and its third party licensors. ARRIS retains all rights not expressly licensed under this License. The Software, including any images, graphics, photographs, animation, video, audio, music, and text incorporated therein is owned by ARRIS or its third party licensors and is protected by United States copyright laws and international treaty provisions. Except as otherwise expressly provided in this License, the copying, reproduction, distribution, or preparation of derivative works of the Software, any portion of the Product, or the documentation is strictly prohibited by such laws and treaty provisions. Nothing in this License constitutes a waiver of ARRIS' rights under United States copyright law.

This License and your rights regarding any matter it addresses are governed by the laws of the State of Georgia, without reference to conflict of laws principles. THIS LICENSE SHALL TERMINATE AUTOMATICALLY if you fail to comply with the terms of this License.

ARRIS is not responsible for any third party software that is provided as a bundled application, or otherwise, with the Software or that is downloaded to, or otherwise installed on, the Product.

This product is protected by certain intellectual property rights of Ericsson Corporation. Use or distribution of such technology outside of this product is prohibited without a license from Ericsson Corporation or an authorized Ericsson Corporation subsidiary.

U.S. Government Restricted Rights

The Product and documentation is provided with RESTRICTED RIGHTS. The use, duplication or disclosure by the Government is subject to restrictions as set forth in subdivision (c)(1)(ii) of The Rights in Technical Data and Computer Software clause at 52.227 7013. The contractor/manufacturer is ARRIS Enterprises, Inc., 3871 Lakefield Drive, Suwanee, Georgia 30024, USA.

Open Source Attributions

ARRIS IPTV Set-top Model VIP2502

For instructions on how to obtain a copy of any source code being made publicly available by ARRIS related to software used in this ARRIS product you may send your request in writing to:

ARRIS Enterprises, Inc.
Software Pedigree Operations
2450 Walsh Avenue, Santa Clara, CA 95051, USA

The ARRIS website <http://opensource.arrisi.com> also contains information regarding ARRIS' use of open source. ARRIS has created this website to serve as a portal for interaction with the software community at large.

This document contains additional information regarding licenses, acknowledgments and required copyright notices for open source packages used in this ARRIS product.

Broadcom CFE

Copyright © 2000, 2001 Broadcom Corporation. All rights reserved.

License Text:

This software is furnished under license and may be used and copied only in accordance with the following terms and conditions. Subject to these conditions, you may download, copy, install, use, modify and distribute modified or unmodified copies of this software in source and/or binary form. No title or ownership is transferred hereby.

1) Any source code used, modified or distributed must reproduce and retain this copyright notice and list of conditions as they appear in the source file.

2) No right is granted to use any trade name, trademark, or logo of Broadcom Corporation. Neither the "Broadcom Corporation" name nor any trademark or logo of Broadcom Corporation may be used to endorse or promote products derived from this software without the prior written permission of Broadcom Corporation.

3) THIS SOFTWARE IS PROVIDED "AS-IS" AND ANY EXPRESS OR IMPLIED WARRANTIES, INCLUDING BUT NOT LIMITED TO, ANY IMPLIED WARRANTIES OF MERCHANTABILITY, FITNESS FOR A PARTICULAR PURPOSE, OR NON-INFRINGEMENT ARE DISCLAIMED. IN NO EVENT SHALL BROADCOM BE LIABLE FOR ANY DAMAGES WHATSOEVER, AND IN PARTICULAR, BROADCOM SHALL NOT BE LIABLE FOR DIRECT, INDIRECT, INCIDENTAL, SPECIAL, EXEMPLARY, OR CONSEQUENTIAL DAMAGES (INCLUDING, BUT NOT LIMITED TO, PROCUREMENT OF SUBSTITUTE GOODS OR SERVICES; LOSS OF USE, DATA, OR PROFITS; OR BUSINESS INTERRUPTION) HOWEVER CAUSED AND ON ANY THEORY OF LIABILITY, WHETHER IN CONTRACT, STRICT LIABILITY, OR TORT (INCLUDING NEGLIGENCE OR OTHERWISE), EVEN IF ADVISED OF THE POSSIBILITY OF SUCH DAMAGE.

IETF - Sha1

License Text:

Copyright © The Internet Society (2003). All Rights Reserved.

This document and translations of it may be copied and furnished to others, and derivative works that comment on or otherwise explain it or assist in its implementation may be prepared, copied, published and distributed, in whole or in part, without restriction of any kind, provided that the above copyright notice and this paragraph are included on all such copies and derivative works. However, this document itself may not be modified in any way, such as by removing the copyright notice or references to the Internet Society or other Internet organizations, except as needed for the purpose of developing Internet standards in which case the procedures for copyrights defined in the Internet Standards process must be followed, or as required to translate it into languages other than English.

The limited permissions granted above are perpetual and will not be revoked by the Internet Society or its successors or assigns. This document and the information contained herein is provided on an "AS IS" basis and THE INTERNET SOCIETY AND THE INTERNET ENGINEERING TASK FORCE DISCLAIMS ALL WARRANTIES, EXPRESS OR IMPLIED, INCLUDING BUT NOT LIMITED TO ANY WARRANTY THAT THE USE OF THE INFORMATION HEREIN WILL NOT INFRINGE ANY RIGHTS OR ANY IMPLIED WARRANTIES OF MERCHANTABILITY OR FITNESS FOR A PARTICULAR PURPOSE.

MEMTEST

Description: General-purpose memory testing functions.

Notes: Some of the constants in this file are specific to Arcom's Target188EB hardware. This software can be easily ported to systems with different data bus widths by redefining 'datum'.

Copyright © 1998 by Michael Barr. This software is placed into the public domain and may be used for any purpose. However, this notice must not be changed or removed and no warranty is either expressed or implied by its publication or distribution.

Copyright © 2014 ARRIS Enterprises, Inc. All rights reserved. No part of this publication may be reproduced in any form or by any means or used to make any derivative work (such as translation, transformation, or adaptation) without written permission from ARRIS Enterprises, Inc. (ARRIS).

ARRIS reserves the right to revise this publication and to make changes in content from time to time without obligation on the part of ARRIS to provide notification of such revision or change.

ARRIS and the ARRIS Logo are trademarks or registered trademarks of ARRIS Enterprises, Inc. Dolby Digital manufactured under license from Dolby Laboratories. Dolby and the double D symbol are registered trademarks of Dolby Laboratories. This product incorporates copyright protection technology that is protected by U.S. patents and other intellectual property rights. Use of this copyright protection technology must be authorized by Rovi Corporation, and is intended for home and other limited viewing uses only unless otherwise authorized by Rovi Corporation. Reverse engineering or disassembly is prohibited. Rovi is a protected trademark of Rovi Corporation. HDMI, the HDMI logo and High Definition Multimedia Interface are trademarks or registered trademarks of HDMI Licensing LLC. All other product or service names are the property of their respective owners.

ARRIS provides this guide without warranty of any kind, either implied or expressed, including but not limited to the implied warranties of merchantability and fitness for a particular purpose. ARRIS may make improvements or changes in the product(s) described in this manual at any time.

Visit our website at: www.arris.com

Visite nuestro sitio en: www.arri.com

ARRIS entrega esta guía sin garantía de ningún tipo, ya sea implícita o expresa, lo que incluye, pero no se limita a las garantías implícitas de comercialización y adecuación para un propósito específico. ARRIS puede realizar mejoras o cambios en los productos descritos en este manual en cualquier momento.

ARRIS y el logotipo de ARRIS son marcas comerciales o marcas comerciales registradas de ARRIS Enterprises, Inc. Dolby Digital se fabrica bajo licencia de Dolby Laboratories. Dolby y el símbolo de la doble D son marcas comerciales registradas de Dolby Laboratories. Este producto incorpora tecnología de protección de derechos de autor que está protegida por patentes de EE.UU. y otros derechos de propiedad intelectual. El uso de esta tecnología de protección de derechos de autor debe ser autorizado por Rovi Corporation y está destinado sólo al uso de visualización doméstica e otras visualizaciones limitadas, salvo que Rovi Corporation autorice otra cosa. Se prohíbe la ingeniería inversa o el desmontaje. Rovi es una marca comercial protegida de Rovi Corporation. HDM1, el logotipo de HDM1 y High-Definition Interlace son marcas comerciales o marcas comerciales registradas de HDM1 Licensing LLC. Todos los demás nombres de productos o de servicios pertenecen a sus respectivos dueños.

ARRIS se reserva el derecho de revisar esta publicación y de realizar ocasionalmente cambios de contenido sin la obligación de notificar dicha revisión o cambio.

ARRIS Enterprises, Inc. (ARRIS),
deberá reproducirse de manera alguna ni por ningún medio, ni deberá utilizarse para elaborar ningún trabajo derivado (como traducción), transformación o adaptación) sin el correspondiente permiso escrito por ARRIS Enterprises, Inc. (ARRIS).
Copyright © 2014 ARRIS Enterprises, Inc. Todos los derechos reservados. Ninguna parte de esta publicación

Notas: Algunas de las constantes en este archivo son específicas del hardware Target1888B de Arcom. Este software se puede portar fácilmente a sistemas con anchos de bus de datos diferentes al reddefinir 'datum';
Copyright © 1998 by Michael Barr. Este software se proporciona al dominio público y se puede usar para cualquier propósito. Sin embargo, este aviso no se debe cambiar o eliminar y no existen garantías expresas o implícitas para su publicación o distribución.

Descripción: Funciones de memoria para propósitos generales.

MEMTEST

Los permisos limitados otorgados anteriormente son perpetuos e Internet Society o sus sucesores o delegados no los podrán revocar. Este documento y la información contenida en él se proporcionan "COMO ESTÁN" e INTERNET SOCIETY Y LA FUERZA DE TRABAJO DE INGENIERÍA PARA INTERNET, NO SON RESPONSABLES DE NINGUNA GARANTÍA, EXPRESA O IMPLÍCITA, INCLUIDAS, ENTRE OTRAS, CUALQUIER GARANTÍA QUE EL USO DE LA INFORMACIÓN AQUÍ CONTENIDA NO INFRINGIRÁ NINGÚN DERECHO O CUALQUIER GARANTÍA IMPLÍCITA DE COMERCIALIZACIÓN O IDONEIDAD PARA UN PROPÓSITO ESPECÍFICO.

Este documento y sus traducciones se pueden copiar y proporcionar a otros y se pueden preparar, copiar y distribuir trabajos derivados que lo comenten o expliquen o que asistan en su implementación, de forma parcial o total, sin ningún tipo de restricción, siempre y cuando se incluyan el aviso de derechos de autor y este párrafo en tales copias y trabajos derivados. Sin embargo, este documento en sí no se puede modificar de ninguna forma, como eliminar el aviso de derechos de autor o referencias a Internet Society u otras organizaciones de Internet, excepto cuando sea necesario para desarrollar estándares de Internet, en cuyo caso se deben seguir los procedimientos para avisos de autor definidos en el proceso de los estándares de Internet, o si es necesario para traducirlo a idiomas distintos del inglés.

Copyright © The Internet Society (2003). Todos los derechos reservados.

Texto de la licencia:

IEF - Shai

3) ESTE SOFTWARE ES PROPORCIONADO "TAL COMO ESTÁ" Y SE EXCLUYE CUALQUIER GARANTÍA EXPRESA O IMPLÍCITA, LO QUE INCLUYE, PERO NO SE LIMITA A LAS GARANTÍAS IMPLÍCITAS DE COMERCIALIZACIÓN Y ADECUACIÓN PARA UN PROPÓSITO ESPECÍFICO O NO CONTRAVENCION. EN NINGÚN CASO BROADCOM INC. O SU REPRESENTANTE (LO QUE INCLUYE PERO NO SE LIMITA A LA PROCURACIÓN DE BIENES SUSTITUTOS O SERVICIOS; PÉRDIDA DE USO, DATOS O GANANCIAS; O INTERRUPTIÓN COMERCIAL) AUNQUE FUERAN CAUSADOS NI BAJO CUALQUIER FORMA DE RESPONSABILIDAD CONTRACTUAL, ESTRUCTURA O EXTRACONTRACTUAL (INCLUIDA NEGLIGENCIA O EL CASO CONTRARIO), AUN CUANDO FUERE ADVERTIDA LA POSIBILIDAD DE TAL DAÑO.

2) No se entrega ningún derecho para usar cualquier nombre comercial, marca registrada o logotipo de Broadcom Corporation para avalar o promover productos derivados de este software sin el permiso previo por escrito de Broadcom Corporation.

1) Cualquier fuente usada, modificada o distribuida debe ser original y reñere este aviso de derechos de autor y la lista de condiciones, tal como aparecen en el archivo original.

Usado no puede:

(1) Prestar, distribuir, alquilar, entregar, otorgar en sublicencia, o bien transferir el Software, en su totalidad o en parte, a cualquier otra persona, excepto según los permittido en el párrafo de TRANSFERENCIA anterior. (2) Copiar, o traducir la Guía del usuario incluida, a menos que sea para uso personal. (3) Copiar, alterar, traducir, descompilar, desarmar o hacer ingeniería inversa en el Software, lo que incluye, pero no se limita a la modificación del Software para utilizarlo en hardware no compatible. (4) Eliminar, alterar o provocar que no se muestren avisos de copyright o mensajes del Producto en oposición a las leyes de exportación de Estados Unidos. (5) Exportar el Software o los componentes del Producto en oposición a las leyes de exportación de Estados Unidos.

El Producto no está diseñado para usarse en línea de aeronaves, tráfico aéreo, navegación aérea o comunicaciones aéreas o en el diseño, la construcción, el funcionamiento o el mantenimiento de cualquier instalación nuclear. ARRIS Y LOS TERCEROS CEDENTES NO SE RESPONSABILIZAN POR NINGUNA GARANTÍA DE IDONEIDAD EXPRESA O IMPLÍCITA DE DICHOS USOS, REPRESENTAS Y GARANTIZAS QUE NO USARÁS EL PRODUCTO PARA TALES PROPÓSITOS.

El título de este Software, incluidos la propiedad de todos los derechos de copyright, derechos de trabajo confidencial, patentes, marcas comerciales y todos los derechos de propiedad intelectual presentes en lo anteriormente expuesto, y todas las adaptaciones y modificaciones que se mencionaron, deberán siempre permanecer con ARRIS y los terceros cedentes. ARRIS mantiene todos los derechos que no están expresamente cedidos en esta Licencia. El Software, incluida la totalidad de imágenes, gráficos, fotografías, animaciones, video, audio, música y texto ahí incorporados, es propiedad de ARRIS o los terceros cedentes, y está protegido por las leyes de copyright de Estados Unidos y las disposiciones de tratados internacionales. Excepto si se ha expresado lo contrario en esta Licencia, la copia, reproducción, distribución o preparación de trabajos derivados del Software, de cualquier parte del Producto o la documentación están estrictamente prohibidas por dichas leyes y disposiciones de tratado. Ninguna parte de esta Licencia constituye una renuncia de los derechos de ARRIS de acuerdo con las leyes de copyright de Estados Unidos.

Esta Licencia y sus derechos con respecto a cualquier aspecto que aborde están regulados por las leyes de estado de Georgia, sin referirse al conflicto de los principios de leyes. ESTA LICENCIA TERMINARÁ AUTOMÁTICAMENTE si no cumple con los términos de esta Licencia.

ARRIS no es responsable de ningún software de terceros proporcionado como una aplicación conjunta, o de otro tipo, con el Software o que se descargue o, de lo contrario, se instale en el producto.

Este producto está protegido por ciertos derechos de propiedad intelectual de Ericsson Corporation. El uso o distribución de dicha tecnología fuera de este producto está prohibida sin una licencia de Ericsson Corporation o un subsidiario autorizado por Ericsson Corporation.

Derechos restringidos del gobierno de EE. UU.

El Producto y la documentación se proporcionan con DERECHOS RESTRINGIDOS. El uso, la duplicación o la divulgación por parte del Gobierno está sujeta a restricciones como se estableció en la subdivisión (c)(1)(iii) de la cláusula Derechos en software de computación y datos técnicos en 52.227 7013. El contratista/fabricante es ARRIS Enterprises, Inc., 3871 Lakefield Drive, Suwanee, Georgia 30024, EE. UU.

Atribuciones de código abierto Sistema IPTV ARRIS modelo VIP2502

Para obtener instrucciones acerca de cómo conseguir una copia de cualquier código fuente que ARRIS haya dejado disponible al público y que se relacione con el software utilizado en este producto ARRIS, puedes enviar tu solicitud a:

**ARRIS Enterprises, Inc.
Operaciones de pedigrí del software
2450 Walsh Avenue, Santa Clara, CA 95051, EE. UU.**

El sitio web de ARRIS <http://openopensource.arris.com> también contiene información acerca del uso de código abierto por parte de ARRIS. ARRIS creó este sitio web como un portal para la interacción con la comunidad de software en general.

Este documento contiene información adicional acerca de licencias, reconocimientos y avisos de derechos de autor decesorios para paquetes de código abierto usados en este producto ARRIS.

**Broadcom CFE
Copyright © 2000, 2001 Broadcom Corporation. Todos los derechos reservados.**

Texto de la licencia:

Este software se suministra mediante una licencia y solo se puede usar y copiar de acuerdo con los siguientes términos y condiciones. Sujeto a estas condiciones, puedes descargar, copiar, instalar, usar, modificar y distribuir copias modificadas o no modificadas de este software en la forma de código fuente o binaria. Por el presente, no se transfiere la propiedad o derechos de propiedad.

USAR el Software sólo para el funcionamiento del Producto.
 TRANSFERIR el Software (incluidos todos los componentes y materiales impresos) permanentemente a otra persona, pero sólo si la persona acepta todos los términos de esta Licencia. Si transfiere el Software, debe a la vez transferir el Producto y todas las copias del Software (si corresponde) a la misma persona o destruir las copias no transferidas.
 TERMINAR esta Licencia destruyendo el Software original y todas las copias correspondientes (si corresponde) de cualquier manera.

USAR puede:

El software incluye medios asociados, todos los materiales impresos y toda la documentación "en línea" o electrónica. El software proporcionado por terceros puede estar sujeto a acuerdos de licencia de usuario final adicionales de los fabricantes de dicho Software. Este Software nunca se vende. ARRIS entrega licencias de Software al cliente original y cualquier titular de licencia posterior para uso personal solo de acuerdo con los términos de esta Licencia. ARRIS y los terceros cedentes retienen la propiedad del Software.
 USAR el Software sólo para el funcionamiento del Producto.
 TRANSFERIR el Software (incluidos todos los componentes y materiales impresos) permanentemente a otra persona, pero sólo si la persona acepta todos los términos de esta Licencia. Si transfiere el Software, debe a la vez transferir el Producto y todas las copias del Software (si corresponde) a la misma persona o destruir las copias no transferidas.
 TERMINAR esta Licencia destruyendo el Software original y todas las copias correspondientes (si corresponde) de cualquier manera.

IMPORTANTE: LEE ATENTAMENTE ESTA LICENCIA DE SOFTWARE ("LICENCIA") ANTES DE USAR CUALQUIER SOFTWARE, FIRMWARE Y DOCUMENTACIÓN RELACIONADA ("SOFTWARE") QUE SE INCLUYE CON EL RECEPTOR DE VIDEO IP O SISTEMA HOME THEATER DE ARRIS (A AMBOS SE LES HARÁ REFERENCIA EN ESTA LICENCIA COMO "RECEPTOR"). AL USAR EL RECEPTOR Y/O USAR ALGUNO DE ESTOS SOFTWARE, INDICA SU ACEPTACIÓN DE ESTA LICENCIA. LOS TÉRMINOS DE ESTA LICENCIA SE APLICAN A TI Y A CUALQUIER USUARIO POSTERIOR DE ESTE SOFTWARE.
 SI NO ACEPTA TODOS LOS TÉRMINOS DE ESTA LICENCIA (I) NO UTILICES ESTE SOFTWARE Y (II) DEVUELVE EL RECEPTOR Y EL SOFTWARE (COLECTIVAMENTE, "PRODUCTO"), INCLUIDOS TODOS LOS COMPONENTES, LA DOCUMENTACIÓN Y CUALQUIER OTRO MATERIAL PROPORCIONADO CON EL PRODUCTO, AL PUNTO DE COMPRA O PROVEEDOR DE SERVICIOS, SEGÚN SEA EL CASO, PARA UN REEMBOLSO COMPLETO.
 El software incluye medios asociados, todos los materiales impresos y toda la documentación "en línea" o electrónica. El software proporcionado por terceros puede estar sujeto a acuerdos de licencia de usuario final adicionales de los fabricantes de dicho Software. Este Software nunca se vende. ARRIS entrega licencias de Software al cliente original y cualquier titular de licencia posterior para uso personal solo de acuerdo con los términos de esta Licencia. ARRIS y los terceros cedentes retienen la propiedad del Software.

Receptor IPTV inalámbrico VIP2502W
 ARRIS Enterprises, Inc. ("ARRIS"),
 3871 Lakeland Drive
 Suwanee, Georgia 30024, EE. UU.

Licencia de software

Cet équipement est conforme aux limites d'exposition aux rayonnements IC établies pour un environnement non rayonné et votre corps.
 En vertu de la réglementation de l'industrie au Canada, cet émetteur radio peut fonctionner uniquement à l'aide d'une antenne d'un type et un maximum (ou moins) de gain approuvé pour l'émetteur par l'industrie Canada. Pour réduire le risque d'interférence aux autres utilisateurs, le type d'antenne et son gain doivent être choisis afin que la puissance isotrope rayonnée équivalente (PIRE) ne dépasse pas ce qui est nécessaire pour une communication réussie.

NOTA IMPORTANTE: (Pour l'utilisation de dispositifs mobiles)

Este equipo cumple con los límites de exposición de radiación de Canadá establecidos para un entorno no controlado. Este equipo debe instalarse y operarse con una distancia mínima de 20 cm entre el radiador y su cuerpo.
 Según las instrucciones de Industry Canada, el transmisor de radio solo puede funcionar mediante el uso de una antena de un tipo y ganancia máxima (o menor) aprobada para el transmisor por Industry Canada. Para reducir la posibilidad de interferencia a otros usuarios, el tipo de antena y su ganancia deben elegirse de manera que la potencia irradiada isotrópicamente equivalente (EIRP) no supere la necesaria para una comunicación exitosa.
 NOTE IMPORTANTE: (Pour l'utilisation de dispositifs mobiles)
 Cet équipement est conforme aux limites d'exposition aux rayonnements IC établies pour un environnement non rayonné et votre corps.
 En vertu de la réglementation de l'industrie au Canada, cet émetteur radio peut fonctionner uniquement à l'aide d'une antenne d'un type et un maximum (ou moins) de gain approuvé pour l'émetteur par l'industrie Canada. Pour réduire le risque d'interférence aux autres utilisateurs, le type d'antenne et son gain doivent être choisis afin que la puissance isotrope rayonnée équivalente (PIRE) ne dépasse pas ce qui est nécessaire pour une communication réussie.

DECLARACIÓN DE EXPOSICIÓN DE RADIACIÓN DE CANADÁ

NOTA IMPORTANTE:

Le gain maximal d'antenne permis (pour les dispositifs utilisant la bande 5 725-5 825 MHz) doit se conformer à la limite de PIRE spécifiée pour l'exploitation point à point et non point à point, selon le cas.
 D'une forte puissance radar sont désignés comme utilisateurs principaux (c.-à-d. utilisateurs portables) des bandes 5250-5350 MHz et 5650-5850 MHz et que ces radars pourraient causer des interférences et/ou des dommages à des dispositifs LAN-EL.
 NOTA IMPORTANTE:
 Declaración de exposición de radiación de Canadá
 Este equipo cumple con los límites de exposición de radiación de Canadá establecidos para un entorno no controlado. Este equipo debe instalarse y operarse con una distancia mínima de 20 cm entre el radiador y su cuerpo.
 Según las instrucciones de Industry Canada, el transmisor de radio solo puede funcionar mediante el uso de una antena de un tipo y ganancia máxima (o menor) aprobada para el transmisor por Industry Canada. Para reducir la posibilidad de interferencia a otros usuarios, el tipo de antena y su ganancia deben elegirse de manera que la potencia irradiada isotrópicamente equivalente (EIRP) no supere la necesaria para una comunicación exitosa.
 NOTE IMPORTANTE: (Pour l'utilisation de dispositifs mobiles)

Este transmisor no debe ubicarse ni operarse junto con cualquier otra antena o transmisor. El usuario final no puede acceder a la configuración de firmware.

Información de LAN inalámbrica

El VIP2502W es un producto de red inalámbrico que usa la tecnología de radio de multiplexación por división de frecuencias ortogonales (OFDM). Los productos están diseñados para ser interoperable con cualquier otro producto de tipo OFDM inalámbrico que cumpla con:

- El estándar IEEE 802.11 sobre LAN inalámbricas (Revisión A y Revisión N), según lo definido y aprobado por el Instituto de ingenieros eléctricos y electrónicos.
- La certificación de Fidelidad inalámbrica (Wi-Fi) según lo definido por Wi-Fi Alliance.

LAN inalámbrica y la salud

El VIP2502W, como otros dispositivos de radio, emite energía electromagnética de radiofrecuencia, pero funciona dentro de las pautas que se encuentran en estándares y recomendaciones de seguridad de radiofrecuencia.

Restricciones sobre el uso de dispositivos inalámbricos

En algunas situaciones o entornos, el uso de dispositivos inalámbricos puede estar restringido por el propietario del edificio o los representantes responsables de la organización. Por ejemplo, el uso de equipo inalámbrico en cualquier entorno donde el riesgo de interferencia con otros dispositivos o servicios se perciba o identifique como dañino.

Si no está seguro de la política que corresponde al uso de equipos inalámbricos en una organización o un entorno específico, deberá pedir autorización para usar el dispositivo antes de encender el equipo.

El fabricante no es responsable de ninguna interferencia de radio o televisión provocada por la modificación no autorizada de los dispositivos incluidos con este producto, o la sustitución o incorporación de cables y equipo de conexión distintos al especificado por el fabricante. La corrección de la interferencia provocada por dicha modificación, sustitución o incorporación no autorizada es responsabilidad del usuario.

Declaración de conformidad de la FCC

De acuerdo con 47 CFR, Partes 2 y 15 para computadores personales y dispositivos periféricos Clase B; y/o placas de CPU y fuentes de alimentación usadas con computadoras personales Clase B, ARRS Enterprises, Inc., 3871 Lakeland Drive, Suwanee, Georgia 30024, EE. UU., declara bajo su exclusiva responsabilidad que el producto comercializado es idéntico a la unidad representativa probada y en cumplimiento con las normas. Los registros mantenidos como continuos reflejan todo que se puede esperar variaciones aceptadas en el equipo, debido a la producción de cantidad y las pruebas en una base estadística según lo requiere 47 CFR 2.909, SU FUNCIONAMIENTO ESTA SUJETO A LA SIGUIENTE CONDICIÓN: Este dispositivo debe aceptar cualquier interferencia que reciba, incluso la interferencia que pueda provocar un funcionamiento no deseado. La parte nombrada anteriormente es responsable de garantizar que el equipo cumple las normas de 47 CFR, Párrafos 15.101 a 15.109.

Este dispositivo cumple con las normas RSS exentas de licencia de Industry Canada. Su funcionamiento está sujeto a las siguientes dos condiciones: (1) este dispositivo no puede provocar interferencia y (2) este dispositivo debe aceptar cualquier interferencia, incluso aquella que pudiera provocar un funcionamiento no deseado del dispositivo.

Cet appareil est conforme la norme d'Industrie Canada exempts de licence RSS. Son fonctionnement est soumis aux deux conditions suivantes: (1) cet appareil ne peut pas causer d'interférences, et (2) cet appareil doit accepter toute interférence, y compris les interférences qui peuvent causer un mauvais fonctionnement de l'appareil.

Precaución:

El dispositivo para funcionamiento en la banda 5150-5250 MHz sólo es para uso en interiores a fin de reducir la interferencia potencial dañina a los sistemas satelitales móviles de co-canal.

El alcance máximo de la antena permitido para dispositivos en las bandas 5250-5350 MHz y 5470-5725 MHz deben cumplir con el límite EIRP

El alcance máximo de la antena permitido para dispositivos en las bandas 5725-5825 MHz deben cumplir con los límites EIRP especificados para funcionamiento punto a punto y no punto a punto, según corresponda.

Los radares de alta potencia está asignados como usuarios principales (usuarios con prioridad) de las bandas de frecuencia 5250-5350 MHz y 5650-5850 MHz, y estos radares podrían ocasionar interferencia y/o daño a dispositivos LE-LAN.

Los dispositivos funcionando en la banda 5150-5250 MHz son reserves únicamente para uso en interiores a fin de reducir el riesgo de interferencia con otros sistemas de satelitales móviles de co-canal.

<p>Posible solución</p>	<p>Problema</p>
<p>Compruebe que no esté presionado el botón Mute en el control remoto. Presione Mute en el control remoto para restablecer el sonido.</p> <p>Si la salida de audio del receptor inalámbrico está conectada al TV, compruebe que no esté presionado el botón Mute en el TV.</p> <p>Si la salida de audio del receptor inalámbrico está conectada a un receptor home theater, compruebe que el receptor de home theater esté programado en la fuente de entrada correcta y que no esté presionado el botón Mute.</p> <p>Compruebe que tenga los cables correctos para los puertos de audio. Compruebe que los cables de audio estén conectados firmemente entre el receptor inalámbrico y el dispositivo de reproducción de audio (TV, home theater, reproductor de DVD, etc.).</p>	<p>No hay audio al ver canales de TV.</p>
<p>No todos los programas Dolby Digital ofrecen sonido envolvente 5.1 completo. En algunos casos, es posible que los programas sólo contengan audio estéreo izquierdo y derecho.</p> <p>Compruebe que el cable S/PDIF óptico esté firmemente conectado al receptor inalámbrico y al receptor de home theater.</p> <p>Compruebe que el receptor Home theater esté programado en un modo de audio de sonido envolvente (Dolby Digital, Dolby Pro Logic II, Dolby Pro Logic).</p> <p>Compruebe que el receptor de home theater esté configurado correctamente para funcionar con todos los altavoces conectados.</p>	<p>No hay audio en los altavoces centrales y/o de sonido envolvente de un receptor de home theater conectado al receptor inalámbrico.</p>

Información reglamentaria

Declaración de interferencia de radio y televisión de la Comisión Federal de Comunicaciones para un dispositivo clase B

Este equipo ha sido probado y se comprobó que cumple con los límites para un dispositivo digital clase B, en aplicación de lo dispuesto en la parte 15 de las normas de la FCC. Estos límites están diseñados para proporcionar protección razonable contra interferencia dañina en la instalación residencial. Este equipo genera, usa y puede irradiar energía de radiofrecuencia y, si no se instala y usa de acuerdo con las instrucciones, puede causar interferencia dañina a las comunicaciones por radio. Sin embargo, no se garantiza que no ocurra interferencia en una instalación en particular.

Si el equipo causa interferencia dañina en la recepción de radio o televisión, lo que se puede descubrir entendiendo y apagando el equipo, se aconseja al usuario que intente corregir la interferencia siguiendo uno de los procedimientos indicados a continuación:

- Reorienta o reubica el dispositivo o la antena que recibe la interferencia.
- Aumenta la separación entre el equipo y el receptor afectado.
- Conecta el equipo a un circuito distinto al cual está conectado el receptor.
- Comuníquese con el proveedor de servicios para obtener ayuda.

Las alteraciones o modificaciones no aprobadas expresamente por la parte responsable por el cumplimiento podrían anular la autoridad del usuario para operar el equipo.

Para funcionamiento entre los rangos de frecuencia 5,15-5,25 GHz/5,25-5,35 GHz/5,47-5,725 GHz, se limita a entornos interiores. La banda entre 5600 y 5650 MHz se deshabilita por software durante la fabricación y el usuario final no lo puede cambiar. Este dispositivo cumple con todos los requerimientos especificados en la parte 15C, sección 15.407 de las normas FCC.

Declaración de exposición de radiación de la FCC

Este equipo cumple con los límites de exposición de radiación de la FCC establecidos para un entorno no controlado. Este equipo debe instalarse y operarse con una distancia mínima de 20 cm entre el radiador y su cuerpo.

Solución de problemas

Antes de llamar al proveedor de servicio, revise esta guía de solución de problemas. Si las sugerencias no ayudan a solucionar un problema rápidamente, comuníquese con su proveedor de servicio.

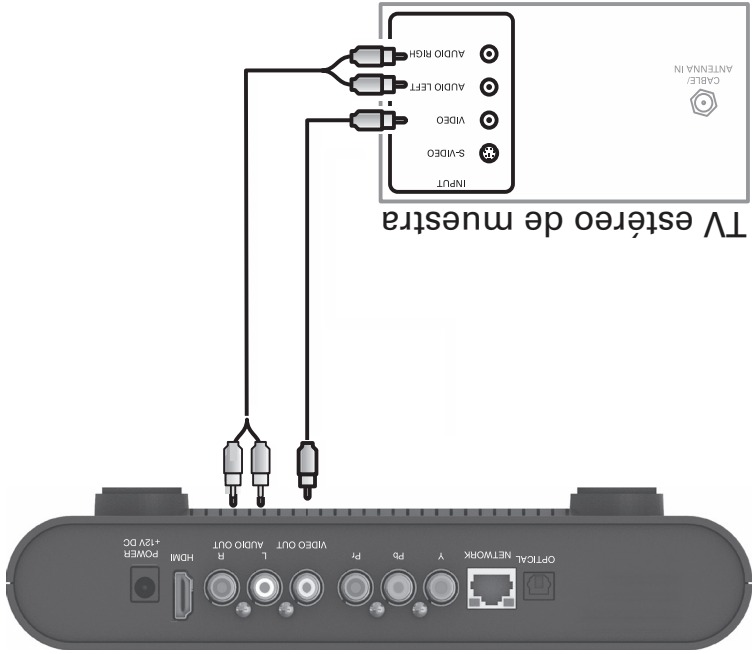
Problema	Posible solución
<p>El receptor inalámbrico no se enciende.</p> <p>Compruebe que el adaptador de alimentación esté conectado al receptor inalámbrico y a una salida de CA. Desconecte el receptor inalámbrico del tomacorriente, vuelva a conectarlo y luego, oprime el botón POWER. Inalámbrico y a una salida de CA. Desconecte el receptor inalámbrico del tomacorriente, vuelva a conectarlo y luego, oprime el botón POWER.</p> <p>Presiona el botón POWER en el panel frontal del receptor inalámbrico en lugar del control remoto. Es posible que las baterías del control remoto estén descargadas.</p>	<p>El control remoto no funciona.</p> <p>Verifique que la TV está encendida.</p> <p>Compruebe que el control remoto esté en modo de espera.</p> <p>Compruebe que no haya obstrucciones entre el control remoto y el receptor inalámbrico. Apunte el control remoto directamente hacia el panel frontal del receptor inalámbrico, no hacia el TV ni VCR.</p> <p>Es posible que el ángulo entre el control remoto y el receptor inalámbrico sea demasiado amplio. Ubicáte frente al receptor inalámbrico y no demasiado lejos de ninguno de los dos lados.</p> <p>Presione y suelte las teclas de función una a la vez, de manera firme y deliberada.</p> <p>Intenta cambiar los canales usando los botones del panel frontal del receptor inalámbrico.</p> <p>Revise las baterías del control remoto. Instale baterías nuevas si es necesario.</p>
<p>Calidad de video deficiente o faltante.</p> <p>Compruebe la potencia de señal del punto de acceso inalámbrico.</p> <p>La potencia de señal se indica mediante el número de barras iluminadas en el indicador del panel frontal:</p> <ul style="list-style-type: none"> ● Cinco segmentos de barra iluminados de color verde: potencia de señal excelente. ● Cuatro segmentos de barra iluminados de color verde: potencia de señal muy buena. ● Tres segmentos de barra iluminados de color verde: potencia de buena (potencia mínima aceptable para la instalación). ● Dos segmentos de barra iluminados de color verde: potencia de señal justa. ● Dos segmentos de barra iluminados de color rojo: la señal es muy débil. El video se ve afectado. ● Uno o dos segmentos de barra iluminados de color rojo: la señal es posible que el video se vea afectado. ● Es posible que el video se vea afectado. ● Ningún segmento de barra iluminado: no hay conectividad inalámbrica. <p>Si la potencia de señal no es correcta, intenta reorientar o reubicar el receptor de TV inalámbrico o el punto de acceso para mejorar la recepción.</p>	<p>El control remoto no funciona.</p> <p>Verifique que la TV está encendida.</p> <p>Compruebe que el control remoto esté en modo de espera.</p> <p>Compruebe que no haya obstrucciones entre el control remoto y el receptor inalámbrico. Apunte el control remoto directamente hacia el panel frontal del receptor inalámbrico, no hacia el TV ni VCR.</p> <p>Es posible que el ángulo entre el control remoto y el receptor inalámbrico sea demasiado amplio. Ubicáte frente al receptor inalámbrico y no demasiado lejos de ninguno de los dos lados.</p> <p>Presione y suelte las teclas de función una a la vez, de manera firme y deliberada.</p> <p>Intenta cambiar los canales usando los botones del panel frontal del receptor inalámbrico.</p> <p>Revise las baterías del control remoto. Instale baterías nuevas si es necesario.</p>

Conexión a un TV estéreo

Conexión de video compuesto



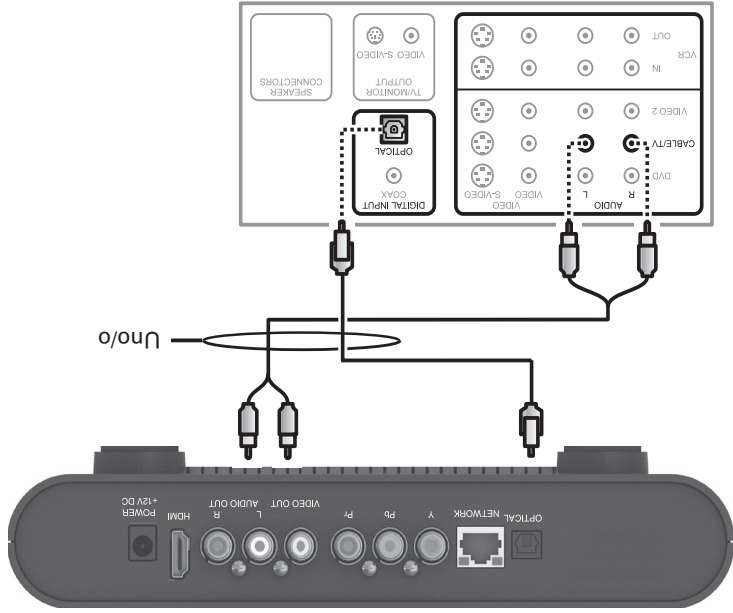
Conexión de audio de banda base



Esta conexión de video no admite video HD. Para obtener más información, consulta “Conexión a un HDTV – Solo video”;

Conectar audio a un receptor de home theater

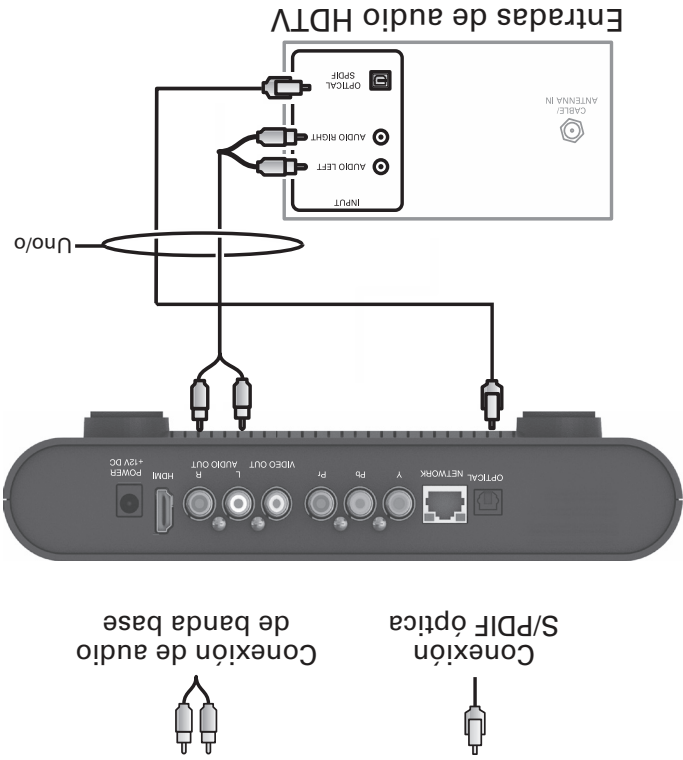
Conexión S/PDIF óptica
Conexión de audio de banda base



Receptor de home theater de muestra

Si el receptor de home theater lo admite, use la salida S/PDIF ÓPTICA. De lo contrario, utilice los conectores AUDIO L y R. En la mayoría de los casos, S/PDIF ofrece mejor calidad de audio, incluida la compatibilidad con sonido envolvente Dolby Digital 5.1.

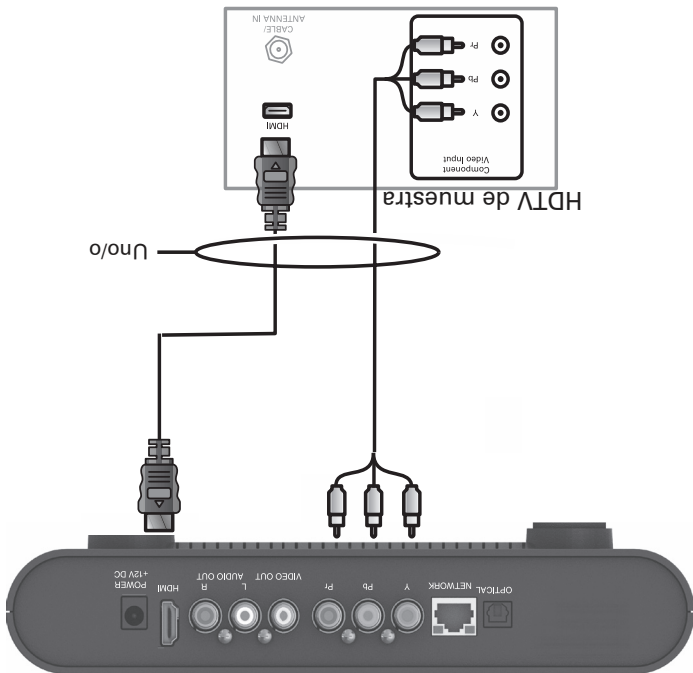
Si el equipo lo admite, use la salida S/PDIF ÓPTICA. De lo contrario, utilice los conectores AUDIO L y D. En la mayoría de los casos, S/PDIF ofrece mejor calidad de audio, incluida la compatibilidad con sonido envolvente Dolby Digital 5.1. HDMI transmite video y audio. Si conecta su HDTV usando HDMI, no es necesario realizar otras conexiones de audio a la TV.




Conexión a un HDTV – Sólo audio

Conexión a un HDTV – Sólo video

Conexión de video componente Conexión HDMI



- Si el HDTV tiene una entrada HDMI, conecta un cable HDMI al conector HDMI, tal como se muestra. La conexión HDMI transmite señales de video y audio.
 - Si tu HDTV tiene una entrada DVI, puedes usar un convertidor de HDMI a DVI para conectar al conector HDMI de VIP2502W.
 - Si el HDTV tiene video componente, conecta cables de video componente a los conectores Y, Pb y Pr, tal como se muestra.
- DVI y video componente transmiten señales de video solamente. Para conectar el audio, consulte la siguiente página. Para conectar a un receptor de home theater, consulta "Conectar audio a un receptor de home theater, solo audio".

<p>Descripción</p> <p>Para conectar un televisor de definición estándar, usa el conector de compuesto VIDEO OUT.</p> <p>Video compuesto proporciona una señal de video analógica de definición estándar. Si el equipo admite una conexión de audio S/PDIF óptica, use la conexión OPTICA. De lo contrario, utilice las conexiones AUDIO L y D de banda base.</p>	<p>micro USB</p> <p>Compuesto Video</p>  <p>VIDEO OUT</p> <p>Definición estándar</p>
---	--

Ejemplos de cableado comunes

Los siguientes diagramas de cableado ilustran conexiones de audio/video (AV) de muestra comunes. Al conectar otros componentes al receptor de TV, consulte los otros manuales de instalación de componentes para conocer información de conexión adicional.

En esta sección se describen métodos alternativos para conectar el VIP2502W a tu sistema de entretenimiento doméstico.

Se incluyen instrucciones y diagramas para las conexiones a:

- Televisión de alta definición (HDTV)
- Receptor de home theater, audio
- TV estéreo

Antes de mover o cambiar componentes en tu sistema de entretenimiento, siempre desconecte la alimentación del receptor inalámbrico.

Opciones de conexión

El VIP2502W ofrece las siguientes salidas de video:

HDTV	HDMI o video componente
Estándar	Salida de video compuesto

Para determinar las entradas disponibles en su TV, verifique el manual proporcionado con el TV o el TV mismo. Siga las siguientes pautas para determinar las mejores conexiones para su sistema. Seleccione una de las siguientes opciones.

Descripción	
micro USB	
HDMI	<p>HDMI ofrece mayor calidad de video que video componente. Si su HDTV tiene una entrada HDMI, use el conector HDMI. HDMI proporciona video digital y audio digital (incluido sonido envolvente Dolby® Digital 5.1). No se requieren otras conexiones.</p> <p>Si tu HDTV tiene una entrada DVI, puedes usar un cable convertidor de HDMI-a-DVI para conectar al conector HDMI de VIP2502W. Use un cable con un conector HDMI en un extremo y un conector DVI en el otro extremo. No recomendamos usar un adaptador HDMI-a-DVI o DVI-a-HDMI. Debido a que DVI no transmite audio, se requiere una conexión de audio separada para un TV DVI. Si su TV tiene una conexión de audio S/PDIF, use la conexión OPTICA. De lo contrario, utilice las conexiones AUDIO I y D de banda base.</p>
Componente Video	<p>Los conectores Y Pb Pr proporcionan video componente, la conexión HDTV más ampliamente admitida.</p> <p>Video componente proporciona una señal de video analógica de alta definición. Si el equipo admite una conexión de audio S/PDIF óptica, use la conexión OPTICA. De lo contrario, utilice las conexiones AUDIO I y D de banda base.</p>

Alta definición



Componente Video



HDMI

Como se muestra en la siguiente ilustración, los programas y servicios del VIP2502W se transmiten de forma inalámbrica a través del aire desde un punto de acceso VAP2500. El punto de acceso, a su vez, se conecta a tu dispositivo de puerta de enlace de red doméstica.



El punto de acceso VAP2500 es capaz de transmitir transmisiones de programación separadas a varios receptores IPTV inalámbricos. El punto de acceso usa los protocolos de configuración protegida de Wi-Fi (WPS) para identificar, autorizar y administrar el tráfico desde y hacia los receptores de TV inalámbricos.

Registrar el receptor de TV con el punto de acceso

Antes de que el receptor de TV pueda recibir cualquier programa, se debe registrar como dispositivo autorizado con el punto de acceso. Ejecutar el procedimiento de WPS de la siguiente forma:

1. Instala el punto de acceso VAP2500, como se describe en la Guía de instalación rápida de VAP2500.
2. Conecta el cable desde el adaptador de alimentación CC al conector POWER +12VDC en la parte posterior del VIP2502W, conecta el adaptador al tomacorriente de pared CA y luego conecta el VIP2502W a tu TV, como se describe en la página 5.

3. El botón POWER en la parte frontal del VIP2502W se ilumina de color verde para indicar que recibe energía. Asegúrate de que el TV también reciba energía. Asegúrate de que el VAP2500 esté conectado al dispositivo de puerta de enlace doméstico y que reciba energía.
5. Cuando el receptor de TV se inicie, buscará una señal de un mensaje emergente en la pantalla del TV que te preguntará si deseas conectarte.
6. En el panel frontal del VIP2502W, toca **OK**.
7. Dirígete al punto de acceso y luego mantén presionado el botón WPS en la parte frontal del VAP durante dos segundos y luego suelta para activar el proceso de WPS. El LED de WPS del punto de acceso parpadeará anaranjado.
8. Aparece un ícono en la pantalla que indica que la secuencia de conexión está en proceso. Cuando aparezcan tres puntos horizontales, se habrá realizado la conexión satisfactoriamente.
9. En el panel frontal del VIP2502W, dos o más barras en el indicador de potencia de señal se deberían encender verde. Ahora has establecido una conexión inalámbrica segura entre el punto de acceso y tu VIP2502W.

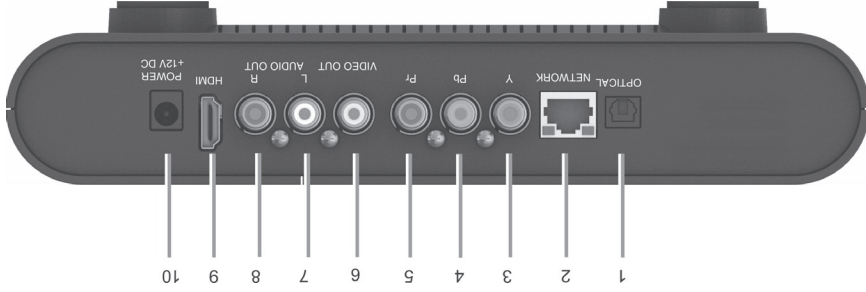


Para obtener más información sobre el punto de acceso VAP2500, consulta la Guía de instalación de VAP2500.

Descripción general

Panel posterior

Las funciones del panel trasero del VIP2502W se describen en la siguiente tabla.

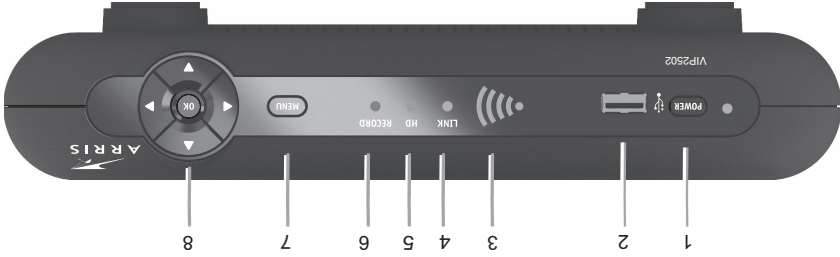


Encender	Elemento	Función
1	ÓPTICA	Salida de audio digital (S/PDIF) Toslink
2	NETWORK	Puerto Ethernet 10/100 base T RJ-45
3	Y	Salidas de vídeo de componente RCA hacia un HDTV
4	Pb	
5	Pr	
6	VIDEO OUT	Salida de vídeo compuesto RCA de definición estándar a un TV, grabadora de medios u otro dispositivo
7	L	Salidas (analógicas) de audio estéreo RCA izquierda y derecha
8	R	
9	HDMI™	Se conecta a un receptor de TV de alta definición o home theater con una entrada HDMI (para una entrada DVI, use un adaptador HDMI-a-DVI)
10	ALIMENTACIÓN +12V DC	Conector para el adaptador de alimentación de CC. Usa solo el adaptador especificado para el VIP2502W.

Descripción general

Panel frontal

La ilustración a continuación y la tabla siguiente a ella describen las funciones, los controles y las luces indicadoras del panel frontal.



Encender	Elemento	Función
1	ALIMENTACIÓN	<p>Oprieme para activar o desactivar el receptor inalámbrico. Si se mantiene presionado por diez (10) segundos o más, reinicia el receptor inalámbrico.</p> <p>El LED (a la izquierda de la tecla de encendido) se ilumina de color verde para indicar que la unidad está encendida y activa. Cuando está activo, el LED parpadea cada vez que oprimes una tecla en el control remoto.</p> <p>El LED se ilumina de color naranja para indicar que la unidad está en modo de espera.</p>
2	USB	Conector USB 2.0
3	CALIDAD DE LA SENAL	<p>El indicador de calidad de la señal se ilumina verde para indicar la potencia de señal desde el dispositivo de punto de acceso inalámbrico. Se iluminan de una a cinco barras, según la potencia de la señal recibida. Cuando la potencia de señal es baja, la barra puede iluminarse ámbar (débil) o rojo (inutilizable).</p>
4	LINK	<p>Se ilumina en verde al recibir una transmisión de video de HD</p> <p>Se ilumina en azul al recibir resolución de video de 720p o 1080i</p>
6	GRABAR	Se ilumina en rojo cuando una grabación está en progreso
7	MENU	Muestra el menú de VIP2502W en la pantalla del TV
8	Teclas de flechas arriba/abajo	<p>Teclas de flechas izquierda/derecha</p> <p>Tecla central OK</p> <p>Utilícelo para navegar por la guía de programas en pantalla y el menú</p> <p>Usalo para seleccionar programas o aceptar opciones de menú</p>

Felicitaciones por escoger el receptor IPTV inalámbrico ARRIS VIP2502W.

El VIP2502W proporciona estas extraordinarias funciones de entretenimiento doméstico:

- La entrada inalámbrica mediante el punto de acceso inalámbrico VAP2500 te permite colocar o mover fácilmente tu sistema de entretenimiento de vídeo a cualquier lugar de tu hogar, o incluso afuera, sin la necesidad de usar cables.
- TV de alta definición (HDTV), que brinda el doble de resolución de color y hasta seis veces la definición de TV estándar al conectarse a un TV con capacidad HD
- Una conexión digital directa para dispositivos de audio y vídeo de consumo mediante múltiples interfaces
- Vídeo a pedido (VoD)
- Música con calidad de CD sin comerciales

Este manual de instalación presenta las funciones básicas, describe precauciones importantes y brinda opciones para integrar el receptor inalámbrico al sistema de entretenimiento. Tómate un momento para leer este manual. La sección de diagramas de configuración y solución de problemas le ayudará a aprovechar al máximo su experiencia de entretenimiento doméstico.

La caja incluye:

- Receptor inalámbrico de alta definición (HD) y definición estándar (SD) VIP2502W
- Adaptador de alimentación y cable de alimentación

Para obtener información sobre el servicio de TV, consulta la otra documentación del proveedor de servicios.

1 Introducción 1

2 Descripción general 2

2 Panel frontal 2

3 Panel posterior 3

4 Conexión inalámbrica 4

4 Registrar el receptor de TV con el punto de acceso 4

5 Conexión de receptor de TV 5

5 Opciones de conexión 5

6 Ejemplos de cableado comunes 6

7 Conexión a un HDTV – Sólo vídeo 7

8 Conexión a un HDTV – Sólo audio 8

9 Conectar audio a un receptor de home theater 9

10 Conexión a un TV estéreo 10

11 Solución de problemas 11

Este manual incluye las recomendaciones de seguridad del fabricante y toda la información necesaria para conectar el receptor a su red IP doméstica y a su sistema de entretenimiento. La información de seguridad e instalación fue desarrollada y proporcionada principalmente por el fabricante del receptor, ARRIIS Enterprises, Inc.

- Si el receptor inalámbrico se usa en exteriores (patio, balcón, etc.) se debe proteger de la humedad, temperaturas extremas y de la exposición prolongada a la luz solar directa, ya que estas condiciones pueden causar daños al equipo. También ten presente que se debe permitir una ventilación suficiente, incluso si el receptor se usa en exteriores.
 - El rango de temperatura de funcionamiento es de 0° a +40 °C. El rango de temperatura de sin funcionamiento (transporte y almacenamiento) es de -40° a +60 °C.
 - Ya sea que lo instale o transporte, no exponga el receptor a temperaturas extremas. Siempre transporte el receptor en su caja de fábrica original o en un contenedor bien acolchado.
 - No enchufes el adaptador de alimentación de CA a un tomacorriente con interruptor.
 - **Usa solo el adaptador y el cable de alimentación proporcionado para conectar el VIP2502W al tomacorriente de CA.**
 - **Permite una ventilación suficiente alrededor del receptor inalámbrico para mantener una temperatura de funcionamiento normal. No coloque en un compartimiento sellado sin un flujo de aire adecuado.**
 - **No coloques el receptor inalámbrico cerca de una fuente de calor externa que pueda aumentar la temperatura alrededor de la unidad. No coloques el receptor inalámbrico sobre otro dispositivo electrónico que produzca calor.**
 - **No coloques el receptor inalámbrico en un espacio confinado, como un gabinete cerrado, que no brinde ventilación suficiente.**
 - **No bloquee las ranuras ni aberturas.**
- Sigue estas importantes pautas de seguridad al colocar y conectar el receptor inalámbrico:



- Lea estas instrucciones.
- Guarde estas instrucciones.
- Considere todas las advertencias.
- Siga todas las instrucciones.
- No use este aparato cerca del agua.
- Limpie sólo con un paño seco.
- No bloquee las aberturas de ventilación. Instale de acuerdo con las instrucciones del fabricante.
- No instale cerca de fuentes de calor como radiadores, rejillas de aire caliente, cocinas u otros aparatos que produzcan calor (incluidos amplificadores).
- Proteja el cable de alimentación para evitar pisarlo o que quede apretado, especialmente en los enchufes y tomas de corriente, y revise el punto de salida del aparato.
- Use exclusivamente conexiones/accesorios especificados por el fabricante.
- Desconecte el aparato durante tormentas eléctricas o cuando no se use durante un tiempo prolongado.
- Todos los servicios de mantenimiento deben realizarlos personal calificado. El servicio de mantenimiento se requiere cuando el aparato tiene algún daño, por ejemplo cuando el cable de alimentación o enchufe está dañado, se ha derramado líquido o el aparato ha sido golpeado por otros objetos, cuando se ha expuesto a lluvia o humedad, no funciona normalmente o se ha caído.

INSTRUCCIONES DE SEGURIDAD IMPORTANTES

El símbolo del rayo con cabeza de flecha, dentro de un triángulo equilátero, está diseñado para advertir al usuario la presencia de voltaje peligroso sin aislamiento dentro del perimetro del producto que puede tener la magnitud suficiente para ser un riesgo de descarga eléctrica para las personas.

El signo de exclamación dentro de un triángulo equilátero está diseñado para advertir al usuario la presencia de importantes instrucciones de funcionamiento y mantenimiento (servicio) en la literatura que acompaña al electrodoméstico.

En la parte inferior de la unidad se encuentra una etiqueta que indica la identificación del producto y la calificación de alimentación.



ADVERTENCIA
 PARA EVITAR RIESGOS DE INCENDIOS O DESCARGA ELÉCTRICA, NO EXPONGAS EL DISPOSITIVO A LA LLUVIA O LA HUMEDAD.

Los símbolos gráficos y marcas de advertencia de complementarias se ubican en la parte posterior e inferior del terminal.

PARA REDUCIR EL RIESGO DE DESCARGA ELÉCTRICA, NO RETIRE LA CUBIERTA (O TAPA), EN EL INTERIOR NO HAY PIEZAS QUE SEAN PARA USO DEL USUARIO. SOLICITE ASISTENCIA TÉCNICA AL PERSONAL DE SERVICIO CALIFICADO.





VIP2502W Receptor IPTV inalámbrico Guía de Instalación

